
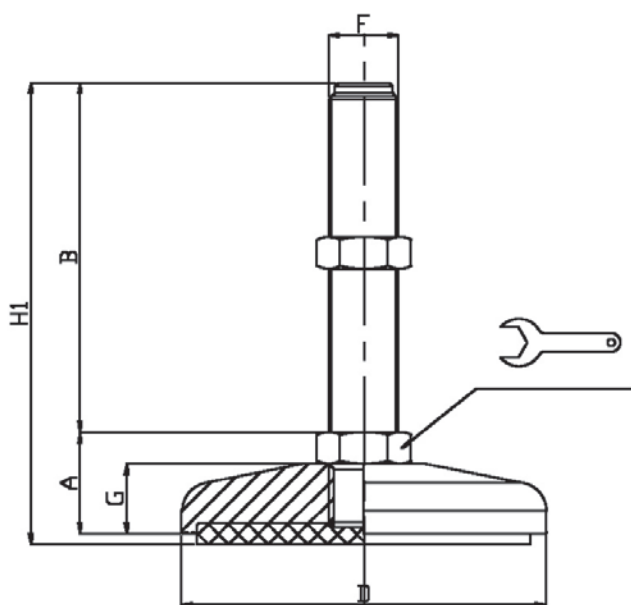



CODICE - CODE antiscivolo - antislip	descrizione description	DIMENSIONI PRINCIPALI - MAIN DIMENSIONS							CARICO STATICO STATIC LOAD NEWTON
		A	B	D		F	G	H1	
11491	M16X100	28	100	Ø 80	20	M16	19	131	30000
11495	M16X150	28	150	Ø 80	20	M16	19	181	30000
11499	M16X200	28	200	Ø 80	20	M16	19	231	30000
11539	M20X100	28	100	Ø 80	24	M20	19	131	35000
11543	M20X150	28	150	Ø 80	24	M20	19	181	35000
11547	M20X200	28	200	Ø 80	24	M20	19	231	35000
11549	M20X225	28	225	Ø 80	24	M20	19	256	35000
11539/24	M24X100	28	100	Ø 80	24	M24	19	131	40000
* 11543/24	M24X150	28	150	Ø 80	24	M24	19	181	40000
* 11547/24	M24X200	28	200	Ø 80	24	M24	19	231	40000
11549/24	M24X225	28	225	Ø 80	24	M24	19	256	40000

\* Disponibile con Filettatura a passo fine. Aggiungere **"/P2"** al codice  
 Available with Thin pitch thread. Please, add **"/P2"** to the code

- Yellow painted steel base. Leveling element supplied with non-skid plate in NBR rubber 70 shore. Galvanized steel screw. The leveling element could be supplied, on request, with steel nut.
- Load values above mentioned have to be considered referring to static conditions calculated at the half of the screw length. In conditions of vibrations or in presence of dynamic loads these values should be reduced. For further information consult our technical office. We cannot accept responsibility for mounts that have been tampered or modified

Any questions? Please contact us.

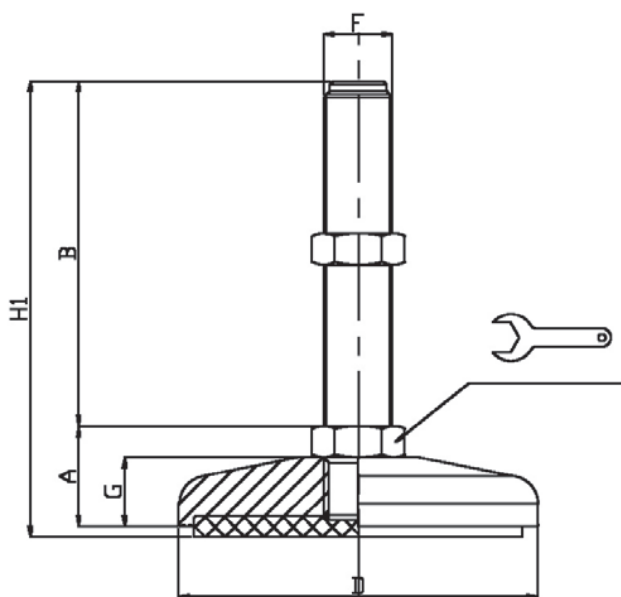



CODICE - CODE antiscivolo - antislip	descrizione description	DIMENSIONI PRINCIPALI - MAIN DIMENSIONS							CARICO STATICO STATIC LOAD NEWTON
		A	B	D		F	G	H1	
11587	M16X100	30	100	Ø 100	24	M16	20	133	35000
11591	M16X150	30	150	Ø 100	24	M16	20	183	35000
11595	M16X200	30	200	Ø 100	24	M16	20	233	35000
11643	M20X100	30	100	Ø 100	24	M20	20	133	40000
11647	M20X150	30	150	Ø 100	24	M20	20	186	40000
11651	M20X200	30	200	Ø 100	24	M20	20	233	40000
11655	M20X250	30	250	Ø 100	24	M20	20	283	40000
11699	M24X100	30	100	Ø 100	24	M24	20	133	45000
* 11703	M24X150	30	150	Ø 100	24	M24	20	183	45000
* 11707	M24X200	30	200	Ø 100	24	M24	20	233	45000
11711	M24X250	30	250	Ø 100	24	M24	20	283	45000

\* Disponibile con Filettatura a passo fine. Aggiungere "JP2" al codice  
 Available with Thin pitch thread. Please, add "JP2" to the code

▪ Yellow painted steel base. Levelling element supplied with non-skid plate in NBR rubber 70 shore. Galvanized steel screw. The leveling element could be supplied, on request, with steel nut.

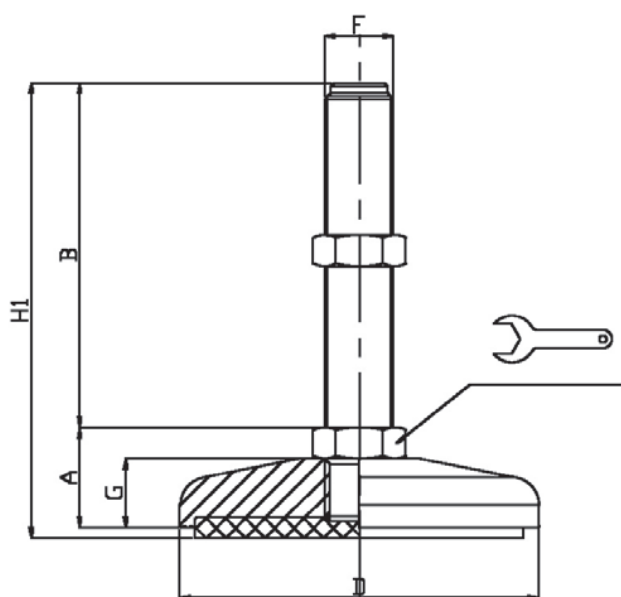
▪ Load values above mentioned have to be considered referring to static conditions calculated at the half of the screw length. In conditions of vibrations or in presence of dynamic loads these values should be reduced. For further information consult our technical office. We cannot accept responsibility for mounts that have been tampered or modified




CODICE - CODE antiscivolo - antislip	descrizione description	DIMENSIONI PRINCIPALI - MAIN DIMENSIONS							CARICO STATICO STATIC LOAD NEWTON
		A	B	D		F	G	H1	
11755	M20X100	32	100	Ø 120	24	M20	22	135	45000
11759	M20X150	32	150	Ø 120	24	M20	22	185	45000
11763	M20X200	32	200	Ø 120	24	M20	22	235	45000
11767	M20X250	32	250	Ø 120	24	M20	22	285	45000
11811	M24X100	32	100	Ø 120	24	M24	22	135	50000
* 11815	M24X150	32	150	Ø 120	24	M24	22	185	50000
* 11819	M24X200	32	200	Ø 120	24	M24	22	235	50000
11823	M24X250	32	250	Ø 120	24	M24	22	285	50000
11867	M30X100	32	100	Ø 120	30	M30	22	135	60000
* 11871	M30X150	32	150	Ø 120	30	M30	22	185	60000
* 11875	M30X200	32	200	Ø 120	30	M30	22	235	60000
11879	M30X250	32	250	Ø 120	30	M30	22	285	60000

\* Disponibile con Filettatura a passo fine. Aggiungere "/P2" al codice  
Available with Thin pitch thread. Please, add "/P2" to the code

- Yellow painted steel base. Levelling element supplied with non-skid plate in NBR rubber 70 shore. Galvanized steel screw. The levelling element could be supplied, on request, with steel nut.
- Load values above mentioned have to be considered referring to static conditions calculated at the half of the screw length. In conditions of vibrations or in presence of dynamic loads these values should be reduced. For further information consult our technical office. We cannot accept responsibility for mounts that have been tampered or modified



CODICE - CODE antiscivolo - antislip	descrizione description	DIMENSIONI PRINCIPALI - MAIN DIMENSIONS							CARICO STATICO STATIC LOAD NEWTON
		A	B	D		F	G	H1	
11923	M20X100	33	100	Ø 159	24	M20	23	136	50000
11927	M20X150	33	150	Ø 159	24	M20	23	186	50000
11931	M20X200	33	200	Ø 159	24	M20	23	236	50000
11935	M20X250	33	250	Ø 159	24	M20	23	286	50000
11979	M24X100	33	100	Ø 159	24	M24	23	136	60000
* 11983	M24X150	33	150	Ø 159	24	M24	23	186	60000
* 11987	M24X200	33	200	Ø 159	24	M24	23	236	60000
11991	M24X250	33	250	Ø 159	24	M24	23	286	60000
12035	M30X100	33	100	Ø 159	30	M30	23	136	70000
* 12039	M30X150	33	150	Ø 159	30	M30	23	186	70000
* 12043	M30X200	33	200	Ø 159	30	M30	23	236	70000
12047	M30X250	33	250	Ø 159	30	M30	23	286	70000

\* Disponibile con Filettatura a passo fine. Aggiungere **"/P2"** al codice  
 Available with Thin pitch thread. Please, add **"/P2"** to the code

▪ Yellow painted steel base. Leveling element supplied with non-skid plate in NBR rubber 70 shore. Galvanized steel screw. The leveling element could be supplied, on request, with steel nut.

▪ Load values above mentioned have to be considered referring to static conditions calculated at the half of the screw length. In conditions of vibrations or in presence of dynamic loads these values should be reduced. For further information consult our technical office. We cannot accept responsibility for mounts that have been tampered or modified