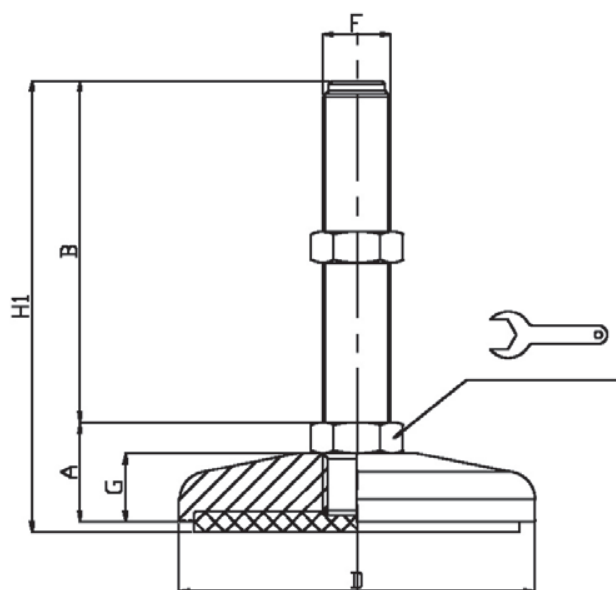


BASE ZINCATA Ø 80 STELO ZINCATO FISSO - CARICHI PESANTI
GALVANIZED STEEL BASE Ø 80 WITH FIXED STEEL SCREW - HEAVY LOADS-

Morskate®



CODICE - CODE antiscivolo - antislip	descrizione description	DIMENSIONI PRINCIPALI - MAIN DIMENSIONS							CARICO STATICO STATIC LOAD NEWTON
		A	B	D	🔑	F	G	H1	
11515	M16X100	28	100	Ø 80	20	M16	19	131	30000
11519	M16X150	28	150	Ø 80	20	M16	19	181	30000
11523	M16X200	28	200	Ø 80	20	M16	19	231	30000
11563	M20X100	28	100	Ø 80	24	M20	19	131	35000
11567	M20X150	28	150	Ø 80	24	M20	19	181	35000
11571	M20X200	28	200	Ø 80	24	M20	19	231	35000
11573	M20X225	28	225	Ø 80	24	M20	19	256	35000
11563/24	M24X100	28	100	Ø 80	24	M24	19	131	40000
* 11567/24	M24X150	28	150	Ø 80	24	M24	19	181	40000
* 11571/24	M24X200	28	200	Ø 80	24	M24	19	231	40000
11573/24	M24X225	28	225	Ø 80	24	M24	19	256	40000

* Disponibile con Filettatura a passo fine. Aggiungere "JP2" al codice
 Available with Thin pitch thread. Please, add "JP2" to the code

▪ Yellow painted steel base. Leveling element supplied with non-skid plate in NBR rubber 70 shore. Galvanized steel screw. The leveling element could be supplied, on request, with steel nut.

▪ Load values above mentioned have to be considered referring to static conditions calculated at the half of the screw length. In conditions of vibrations or in presence of dynamic loads these values should be reduced. For further information consult our technical office. We cannot accept responsibility for mounts that have been tampered or modified

Any questions? Please contact us.

Morskate Aandrijvingen BV

Oosterveldsingel 47A
 7558 PJ Hengelo (Ov)
 The Netherlands

NL

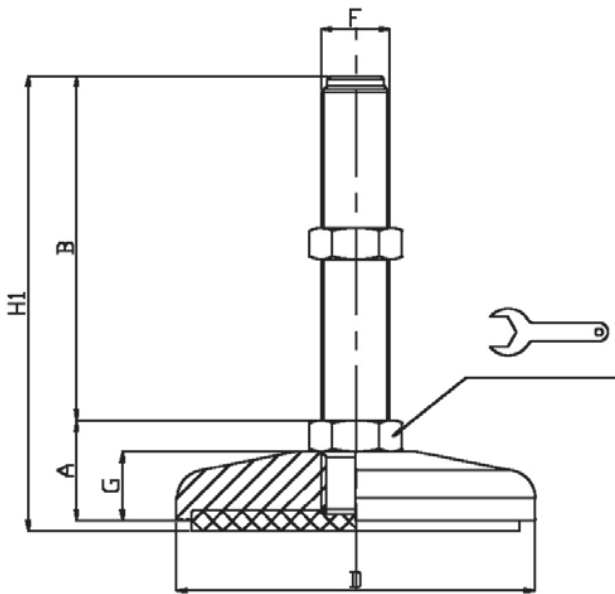
T +31 (0)74 - 760 11 11
 info@morskateaandrijvingen.nl
 www.morskateaandrijvingen.nl

DE

T +49 692 - 222 34 95
 info@morskateantriebstechnik.de
 www.morskateantriebstechnik.de

EN

T +31 (0)74 - 760 11 11
 info@morskatedrivetechnology.com
 www.morskatedrivetechnology.com

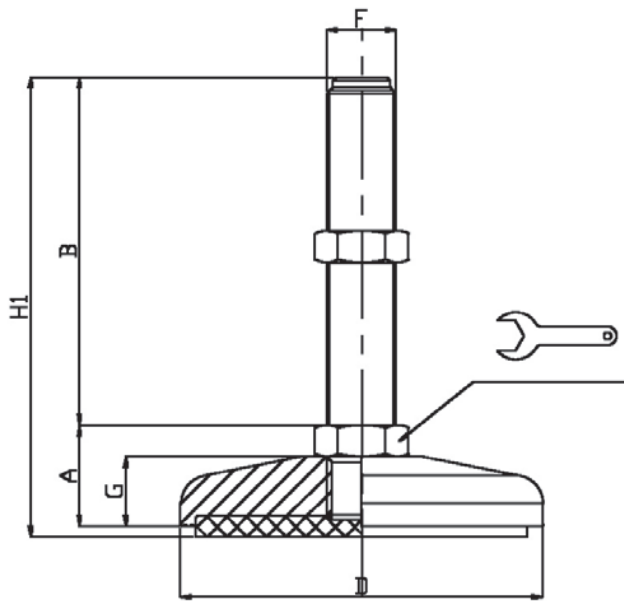



CODICE - CODE antiscivolo - antislip	descrizione description	DIMENSIONI PRINCIPALI - MAIN DIMENSIONS							CARICO STATICO STATIC LOAD NEWTON
		A	B	D	🔑	F	G	H1	
11615	M16X100	30	100	Ø 100	24	M16	20	133	35000
11619	M16X150	30	150	Ø 100	24	M16	20	183	35000
11623	M16X200	30	200	Ø 100	24	M16	20	233	35000
11671	M20X100	30	100	Ø 100	24	M20	20	133	40000
11675	M20X150	30	150	Ø 100	24	M20	20	183	40000
11679	M20X200	30	200	Ø 100	24	M20	20	233	40000
11683	M20X250	30	250	Ø 100	24	M20	20	283	40000
11727	M24X100	30	100	Ø 100	24	M24	20	133	45000
* 11731	M24X150	30	150	Ø 100	24	M24	20	183	45000
* 11735	M24X200	30	200	Ø 100	24	M24	20	233	45000
11739	M24X250	30	250	Ø 100	24	M24	20	283	45000

* Disponibile con Filettatura a passo fine. Aggiungere "JP2" al codice
Available with Thin pitch thread. Please, add "JP2" to the code

- Yellow painted steel base. Levelling element supplied with non-skid plate in NBR rubber 70 shore. Galvanized steel screw. The levelling element could be supplied, on request, with steel nut.
- Load values above mentioned have to be considered referring to static conditions calculated at the half of the screw length. In conditions of vibrations or in presence of dynamic loads these values should be reduced. For further information consult our technical office. We cannot accept responsibility for mounts that have been tampered or modified

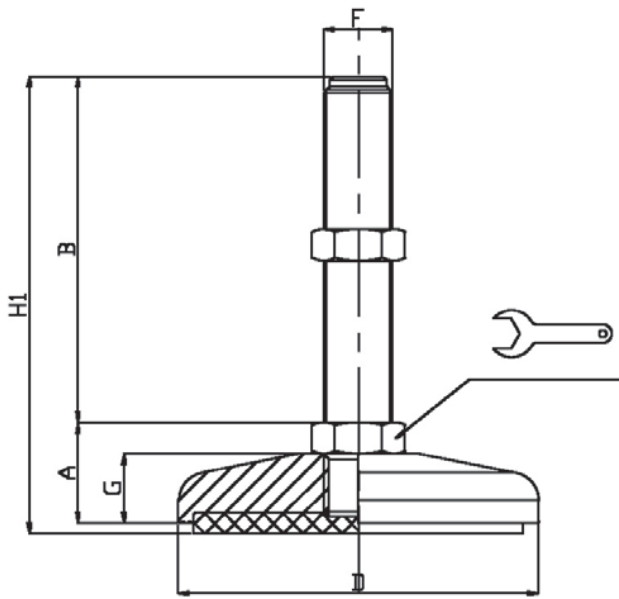
BASE ZINCATA Ø 120 STELO ZINCATO FISSO - CARICHI PESANTI
GALVANIZED STEEL BASE Ø 120 WITH FIXED STEEL SCREW - HEAVY LOADS




CODICE - CODE antiscivolo - antislip	descrizione description	DIMENSIONI PRINCIPALI - MAIN DIMENSIONS							CARICO STATICO STATIC LOAD NEWTON
		A	B	D		F	G	H1	
11783	M20X100	32	100	Ø 120	24	M20	22	135	45000
11787	M20X150	32	150	Ø 120	24	M20	22	185	45000
11791	M20X200	32	200	Ø 120	24	M20	22	235	45000
11795	M20X250	32	250	Ø 120	24	M20	22	285	45000
11839	M24X100	32	100	Ø 120	24	M24	22	135	50000
* 11843	M24X150	32	150	Ø 120	24	M24	22	185	50000
* 11847	M24X200	32	200	Ø 120	24	M24	22	235	50000
11851	M24X250	32	250	Ø 120	24	M24	22	285	50000
11895	M30X100	32	100	Ø 120	30	M30	22	135	60000
* 11899	M30X150	32	150	Ø 120	30	M30	22	185	60000
* 11903	M30X200	32	200	Ø 120	30	M30	22	235	60000
11907	M30X250	32	250	Ø 120	30	M30	22	285	60000

* Disponibile con Filettatura a passo fine. Aggiungere **"P2"** al codice
 Available with Thin pitch thread. Please, add **"P2"** to the code

- Yellow painted steel base. Levelling element supplied with non-skid plate in NBR rubber 70 shore. Galvanized steel screw. The levelling element could be supplied, on request, with steel nut.
- Load values above mentioned have to be considered referring to static conditions calculated at the half of the screw length. In conditions of vibrations or in presence of dynamic loads these values should be reduced. For further information consult our technical office. We cannot accept responsibility for mounts that have been tampered or modified



CODICE - CODE antiscivolo - antislip	descrizione description	DIMENSIONI PRINCIPALI - MAIN DIMENSIONS							CARICO STATICO STATIC LOAD NEWTON
		A	B	D		F	G	H1	
11951	M20X100	33	100	Ø 159	24	M20	23	136	50000
11955	M20X150	33	150	Ø 159	24	M20	23	186	50000
11959	M20X200	33	200	Ø 159	24	M20	23	236	50000
11963	M20X250	33	250	Ø 159	24	M20	23	286	50000
12007	M24X100	33	100	Ø 159	24	M24	23	136	60000
* 12011	M24X150	33	150	Ø 159	24	M24	23	186	60000
* 12015	M24X200	33	200	Ø 159	24	M24	23	236	60000
12019	M24X250	33	250	Ø 159	24	M24	23	286	60000
12063	M30X100	33	100	Ø 159	30	M30	23	136	70000
* 12067	M30X150	33	150	Ø 159	30	M30	23	186	70000
* 12071	M30X200	33	200	Ø 159	30	M30	23	236	70000
12075	M30X250	33	250	Ø 159	30	M30	23	286	70000

* Disponibile con Filettatura a passo fine. Aggiungere **"IP2"** al codice
Available with Thin pitch thread. Please, add "IP2" to the code

- Yellow painted steel base. Levelling element supplied with non-skid plate in NBR rubber 70 shore. Galvanized steel screw. The levelling element could be supplied, on request, with steel nut.
- Load values above mentioned have to be considered referring to static conditions calculated at the half of the screw length. In conditions of vibrations or in presence of dynamic loads these values should be reduced. For further information consult our technical office. We cannot accept responsibility for mounts that have been tampered or modified