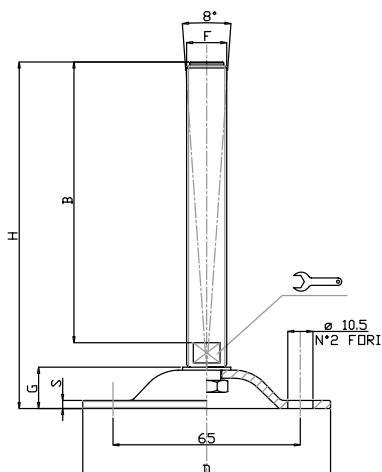

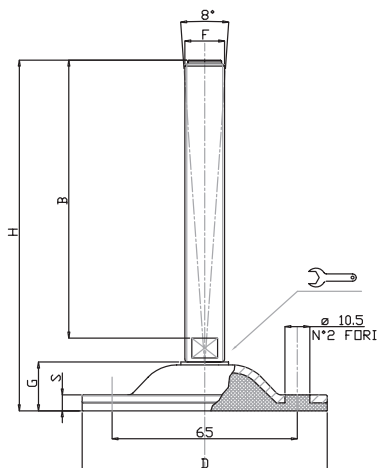



# BASE STAMPATA INOX Ø85 – STELO ARTICOLATO 8° STAINLESS STEEL PRESSED BASE Ø85 – 8° ARTICULATED SCREW

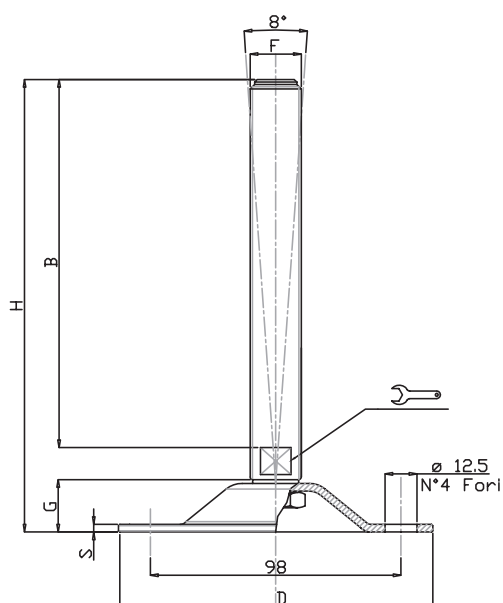



CODICE - CODE	descrizione description	DIMENSIONI PRINCIPALI - MAIN DIMENSIONS							CARICO STATICO STATIC LOAD NEWTON
		S	B	D		F	G	H	
15688	M16X100	3	100	85	13	M16	13	125	15000
15690	M16X150	3	150	85	13	M16	13	175	15000
15692	M16X175	3	175	85	13	M16	13	200	15000
15694	M20X100	3	100	85	17	M20	13	125	15000
15696	M20X150	3	150	85	17	M20	13	175	15000
15698	M20X200	3	200	85	17	M20	13	225	15000



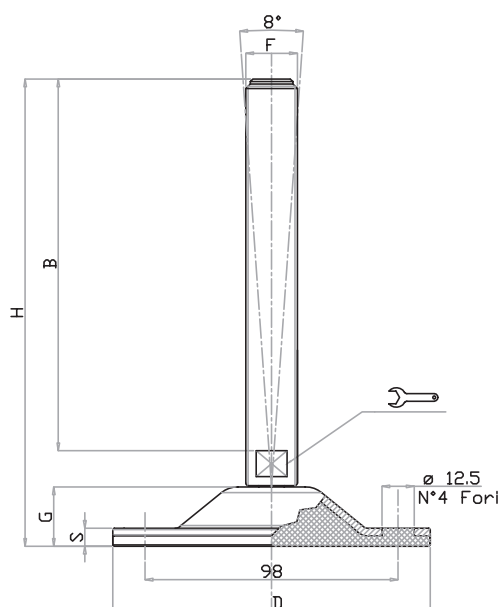
CODICE - CODE	descrizione description	DIMENSIONI PRINCIPALI - MAIN DIMENSIONS							CARICO STATICO STATIC LOAD NEWTON
		S	B	D		F	G	H	
15688/V	M16X100	3	100	85	13	M16	16	128	15000
15690/V	M16X150	3	150	85	13	M16	16	178	15000
15692/V	M16X175	3	175	85	13	M16	16	203	15000
15694/V	M20X100	3	100	85	17	M20	16	128	15000
15696/V	M20X150	3	150	85	17	M20	16	178	15000
15698/V	M20X200	3	200	85	17	M20	16	228	15000


- Material: stainless steel base 1.4301. Stainless steel screw 1.4301. The levelling element could be supplied with steel nut.
- Vulcanized rubber pad NBR 80 shore



CODICE - CODE	descrizione description	DIMENSIONI PRINCIPALI - MAIN DIMENSIONS							CARICO STATICO STATIC LOAD NEWTON
		S	B	D		F	G	H	
15700	M16X100	4	100	Ø 123	17	M16	20,5	134	20000
15702	M16X150	4	150	Ø 123	17	M16	20,5	184	20000
15704	M16X175	4	175	Ø 123	17	M16	20,5	209	20000
15706	M20X100	4	100	Ø 123	17	M20	20,5	134	25000
15708	M20X150	4	150	Ø 123	17	M20	20,5	184	25000
15710	M20X200	4	200	Ø 123	17	M20	20,5	234	25000
15712	M24X100	4	100	Ø 123	20	M24	20,5	134	30000
15714	M24X150	4	150	Ø 123	20	M24	20,5	184	30000
15716	M24X200	4	200	Ø 123	20	M24	20,5	234	30000
15718	M30X150	4	150	Ø 123	26	M30	20,5	185	35000
15720	M30X200	4	200	Ø 123	26	M30	20,5	235	35000
15722	M30X250	4	250	Ø 123	26	M30	20,5	285	35000

- Material: stainless steel base 1.4301. Stainless steel screw 1.4301. The levelling element could be supplied with steel nut.
- Load values above mentioned have to be considered referring to static conditions calculated at the half of the screw length. In conditions of vibrations or in presence of dynamic loads these values should be reduced. For further information consult our technical office. We cannot accept responsibility for mounts that have been tampered or modified



CODICE - CODE	descrizione description	DIMENSIONI PRINCIPALI - MAIN DIMENSIONS							CARICO STATICO STATIC LOAD NEWTON
		S	B	D		F	G	H	
15700/V	M16X100	7	100	Ø 123	13	M16	23,5	137	20000
15702/V	M16X150	7	150	Ø 123	13	M16	23,5	187	20000
15704/V	M16X175	7	175	Ø 123	13	M16	23,5	212	20000
15706/V	M20X100	7	100	Ø 123	17	M20	23,5	137	20000
15708/V	M20X150	7	150	Ø 123	17	M20	23,5	187	20000
15710/V	M20X200	7	200	Ø 123	17	M20	23,5	237	20000
15712/V	M24X100	7	100	Ø 123	20	M24	23,5	138	20000
15714/V	M24X150	7	150	Ø 123	20	M24	23,5	188	20000
15716/V	M24X200	7	200	Ø 123	20	M24	23,5	238	20000
15718/V	M30X150	7	150	Ø 123	26	M30	23,5	188	20000
15720/V	M30X200	7	200	Ø 123	26	M30	23,5	238	20000
15722/V	M30X250	7	250	Ø 123	26	M30	23,5	288	20000

- Material: stainless steel 1.4301 base. Possibility to drill the rubber to obtain fixing holes. Pad: vulcanized rubber NBR 80 shore. Stainless steel screw 1.4301. The levelling element could be supplied with steel nut.
- Load values above mentioned have to be considered referring to static conditions calculated at the half of the screw length. In conditions of vibrations or in presence of dynamic loads these values should be reduced. For further information consult our technical office. We cannot accept responsibility for mounts that have been tampered or modified