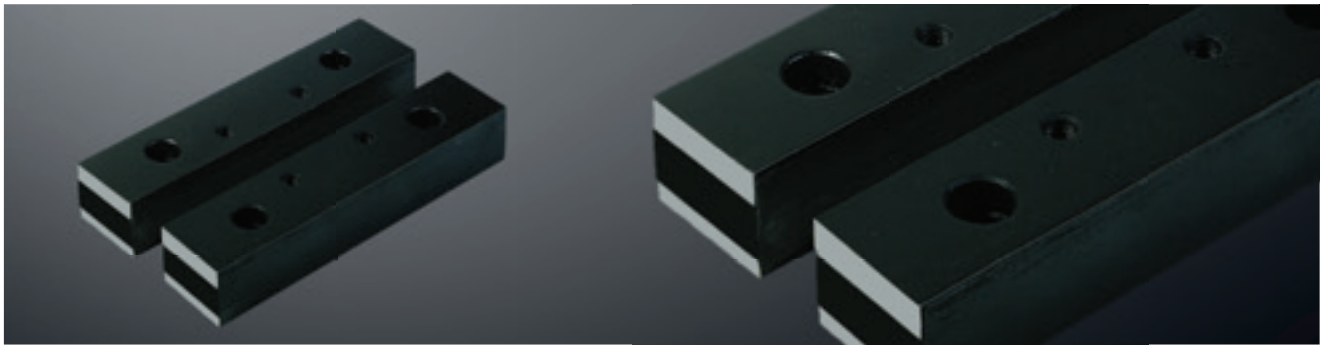
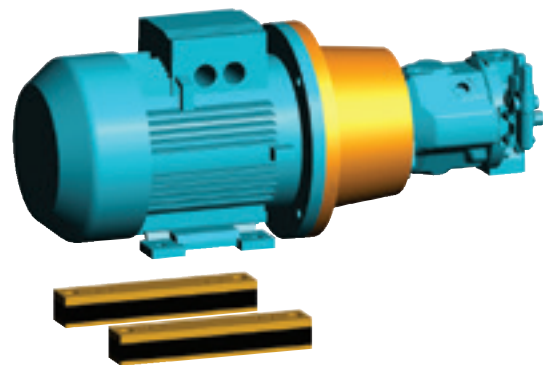
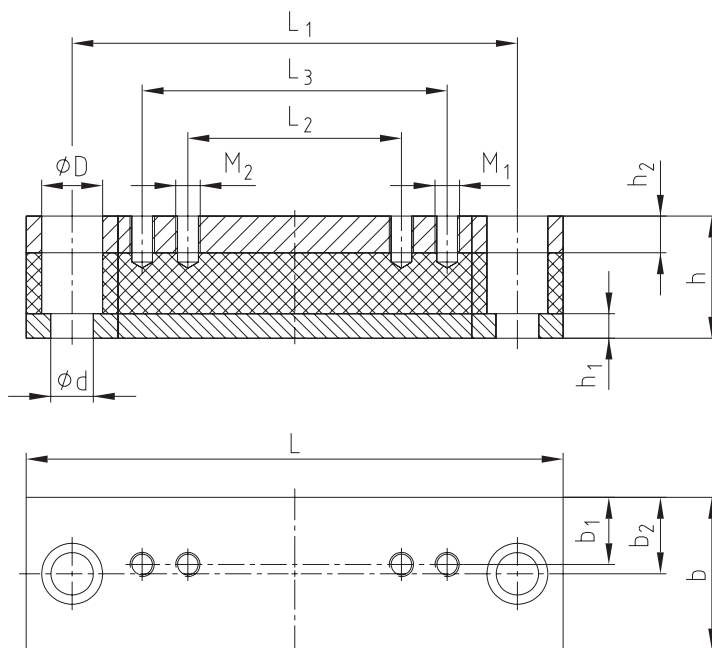


### Damping rods type DSM



Type DSM



Damping rods type DSM for electric motors type IMB 35, protection IP 54

Damping rod size	For motor size	Dimensions [mm]													
		L	L <sub>1</sub>	L <sub>2</sub>	L <sub>3</sub>	h	h <sub>1</sub>	h <sub>2</sub>	b	b <sub>1</sub>	b <sub>2</sub>	d	D	M <sub>1</sub>	M <sub>2</sub>
DSM 71	71	196	156	90		40	8	12	50	21	25	14	20	M6	
DSM 80	80	176	146	100		40	8	12	50	22	25	14	20	M8	
DSM 90 S	90 S	196	156	100		40	8	12	50	24,5	25	14	20	M8	
DSM 90 L	90 L	240	205	125		40	8	12	50	24	25	14	20	M8	
DSM 100 L/112 M	100 L/112 M	240	205	140		40	8	12	50	22	25	14	20	M10	
DSM 132 S/132 M	132 S/132 M	280	245	140	178	45	8	12	50	20	25	14	20	M10	M10
DSM 160 M	160 M	340	300	210		60	15	15	70	28	35	18	26	M12	
DSM 160 L	160 L	416	370	254		60	15	15	70	28	35	18	26	M12	
DSM 180 M	180 M	416	370	241		60	15	15	70	35	35	18	26	M12	
DSM 180 L	180 L	446	400	279		60	15	15	70	35	35	18	26	M12	
DSM 200 L	200 L	492	430	305		60	15	15	70	35	35	22	33	M16	
DSM 225 S	225 S	492	430	286		60	15	15	70	35	35	22	33	M16	
DSM 225 M	225 M	492	445	311		60	15	15	70	35	35	22	33	M16	
DSM 250 M	250 M	492	445	349		60	15	15	100	50	50	22	33	M20	
DSM 280 S/280 M	280 S/280 M	614	570	368	419	60	15	15	100	50	50	22	33	M20	M20
DSM 315 S/315 M	315 S/315 M	614	570	406	457	60	15	15	120	60	60	22	33	M24	M24
DSM 315 L	315 L	704	660	508		60	15	15	120	60	60	22	33	M24	

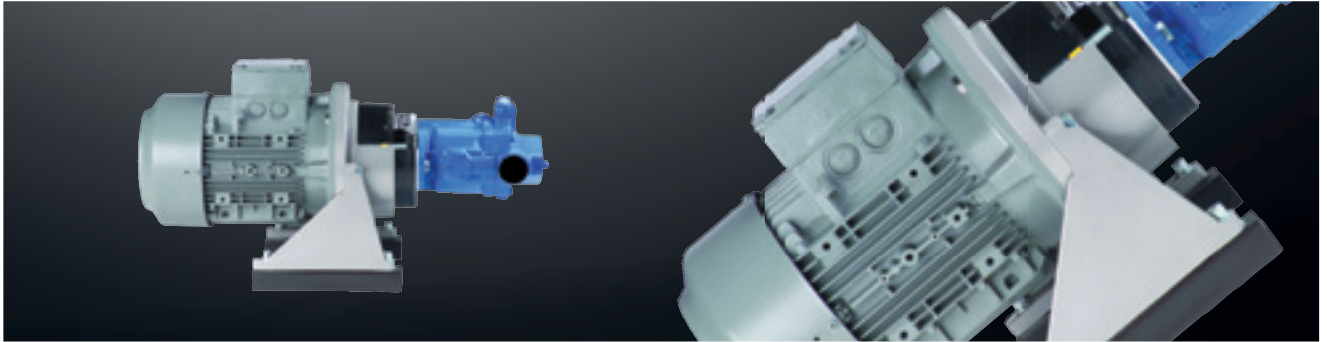
Other sizes on request.

Ordering  
example:

DSM	100 L/112 M
Damping rod	Size

# DAMPING ELEMENTS HYDRAULIC COMPONENTS

## Damping rods type DSFI, DSFS and DSK



**Damping rods type DSFL for foot flange type PTFL**

Damping rod size	For foot flange	Dimensions [mm]											
		L	L <sub>1</sub>	L <sub>2</sub>	h	h <sub>1</sub>	h <sub>2</sub>	b	b <sub>1</sub>	b <sub>2</sub>	d	D	M
DSFL 160	PTFL 160	176	130	50	40	8	12	50	10	25	14	20	M8
DSFL 200	PTFL 200	176	130	60	40	8	12	50	15	25	14	20	M10
DSFL 250	PTFL 250	230	140	60	40	8	12	50	15	25	14	20	M12
DSFL 300	PTFL 300	270	170	80	40	8	12	50	15	25	14	20	M12
DSFL 350	PTFL 350	305	200	110	60	15	15	70	25	35	18	26	M16

**Damping rods type DSFS for foot flange type PTFS**

Damping rod size	For foot flange	Dimensions [mm]												
		L	L <sub>1</sub>	L <sub>2</sub>	L <sub>3</sub>	h	h <sub>1</sub>	h <sub>2</sub>	b	b <sub>1</sub>	b <sub>2</sub>	d	D	M1/2
DSFS 200L	PTFS 200	245	205	150	-	40	8	12	50	19	25	13	20	M10
DSFS 250	PTFS 250	240	140	185		40	8	12	50	17,5	25	13	20	M12
DSFS 250/300L	PTFS 250/300	340	300	185	225	40	8	12	50	17,5	32,5	13	20	M12
DSFS 300	PTFS 300	280	180	225		40	8	12	50	17,5	25	13	20	M12
DSFS 350	PTFS 350	325	200	265		60	15	15	70	25	35	17	26	M16
DSFS 350/400L	PTFS 350/400	430	390	265	300	60	15	15	70	25	45	18	26	M16
DSFS 400	PTFS 400	350	234	300		60	15	15	70	25	35	17	26	M16
DSFS 450	PTFS 450	385	270	335		60	15	15	70	25	35	17	26	M16
DSFS 550	PTFS 550	490	350	415		60	15	15	100	25	50	18	26	M16
DSFS 660	PTFS 660	635	415	495		60	15	15	100	30	50	22	33	M20

**Damping rods type DSK for bellhousings type PIK with integrated oil cooler with feet**

Damping rod size	For cooler size	Dimensions [mm]											
		L	L <sub>1</sub>	L <sub>2</sub>	h	h <sub>1</sub>	h <sub>2</sub>	b	b <sub>1</sub>	b <sub>2</sub>	d	D	M
DSK 200	PIK 200	240	210	154,5	40	8	12	50	25	25	14	20	M12
DSK 250	PIK 250	270	240	175,5	40	8	12	50	25	25	14	20	M12
DSK 300	PIK 300	280	250	199,5	45	8	12	50	25	25	14	20	M12
DSK 350	PIK 350	325	295	243,5	60	15	15	70	35	35	14	20	M12



- Damping rods reduce the noise level and dampen vibrations
- Special lengths or types available on request
- Damping rods are made of natural rubber (NR)
- Thrust loading (V1) not permissible
- Available from stock

**Ordering example:**

DSFS	300
Damping rod	Size

Any questions? Please contact us.

### Morskate Aandrijvingen BV

Oosterveldsingel 47A  
7558 PJ Hengelo (Ov)  
The Netherlands

NL

T +31 (0)74 - 760 11 11  
info@morskateaanrijvingen.nl  
www.morskateaanrijvingen.nl

DE

T +49 692 - 222 34 95  
info@morskateantriebstechnik.de  
www.morskateantriebstechnik.de

EN

T +31 (0)74 - 760 11 11  
info@morskatedrivetechnology.com  
www.morskatedrivetechnology.com