

46-1

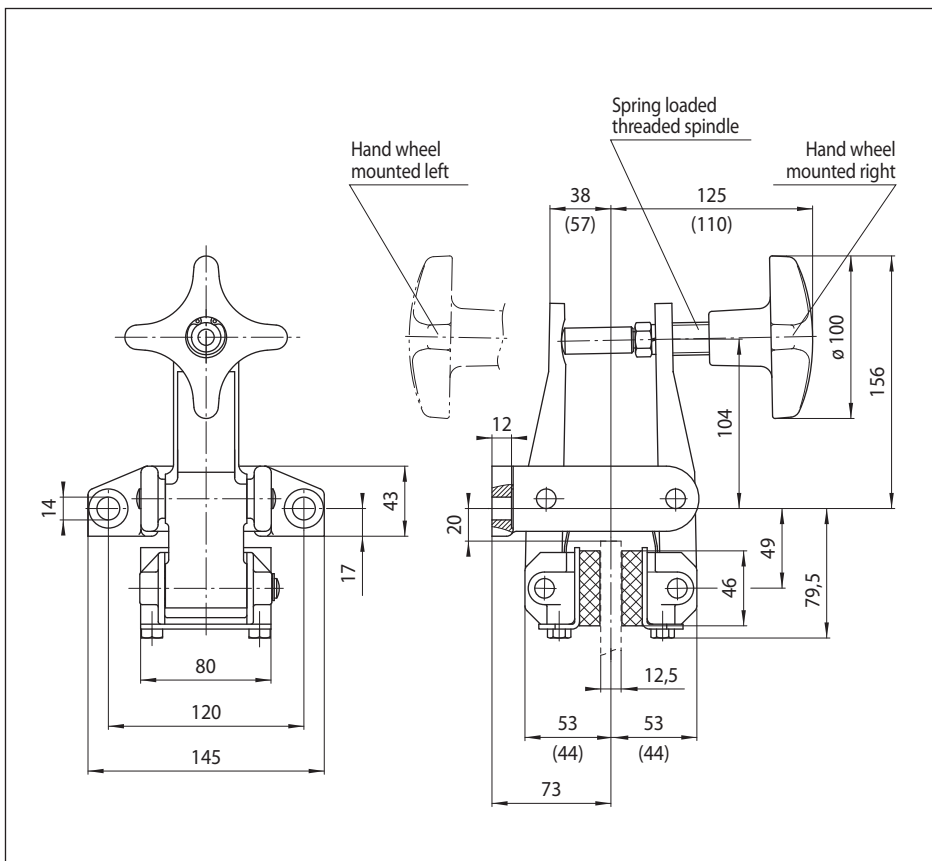
Features

Features	Code
Brake Caliper	D
Mounting to the machine parallel to the brake disc	V
Frame size 020	020
Manually activated	M
Manually released	S
Manual adjustment to counter friction block wear	M
Hand wheel 720	720
Hand wheel mounted right or left available	R L
Thickness of brake disc 12,5 mm	12

Example for ordering

Brake Caliper DV 020 MSM, hand wheel 720, hand wheel mounted right, thickness of brake disc 12,5 mm:

DV 020 MSM - 720 R - 12



Technical Data

Brake Caliper DV 020 MSM with hand wheel 720	
Brake disc diameter [mm]	Braking torque [Nm]
200	160
250	215
300	270
355	335
430	420
520	520
Clamping force	2800 N
Weight	4,8 kg

The braking torques shown in the table are based on a theoretical friction coefficient of 0,4. The maximum braking torques are based on an operating torque of 7,7 Nm at the hand wheel.

A spring loaded threaded spindle compensates for wear of the friction block during the braking action.

Any questions? Please contact us.