

Features

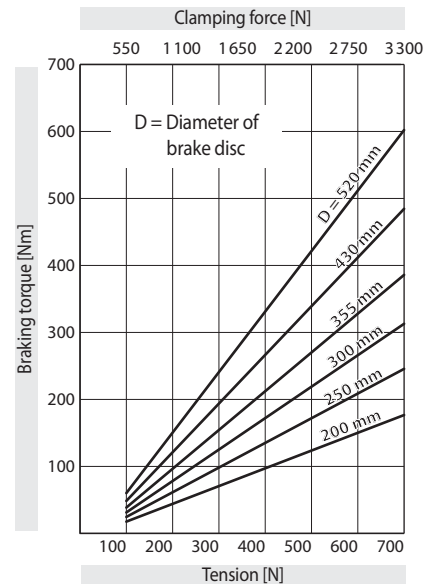
Features	Code
Brake Caliper	D
Mounting to the machine parallel to the brake disc	V
Frame size 020	020
Manually activated	M
Manually released	K
Manual adjustment to counter friction block wear	M
Spring-loaded pressure pin 730	730
Pull cable installation mounted right or left available	R L
Thickness of brake disc 12,5 mm	12

Example for ordering

Brake Caliper DV 020 MKM, pressure pin 730, pull cable installation mounted right, thickness of brake disc 12,5 mm:

DV 020 MKM - 730 R - 12

Technical Data



The braking torques shown in the diagram are based on a theoretical friction coefficient of 0,4.

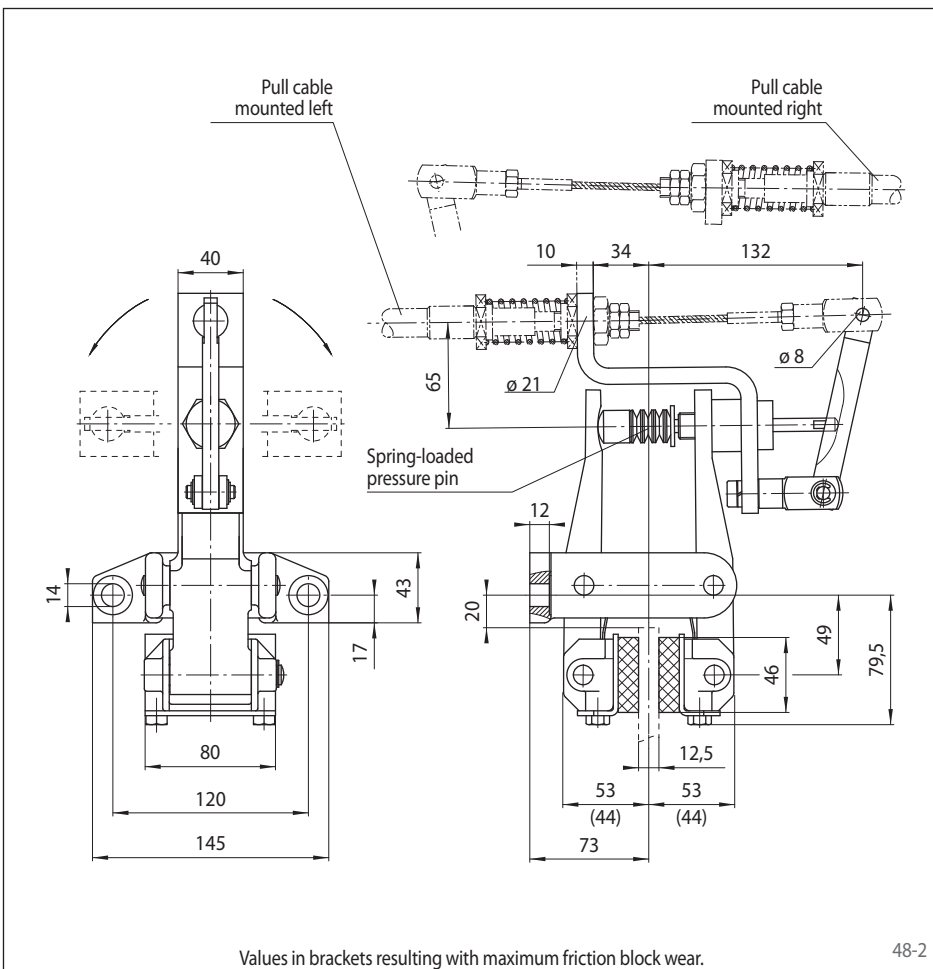
Weight: 5,1 kg

Accessories

The Brake Caliper can be delivered fully assembled with Pull Cable and Hand Brake Lever. Please indicate the required cable length.

For further information regarding Pull Cables and Hand Brake Lever see page 71.

A spring loaded pressure pin compensates for wear of the friction block during the braking action.



48-1

48-2